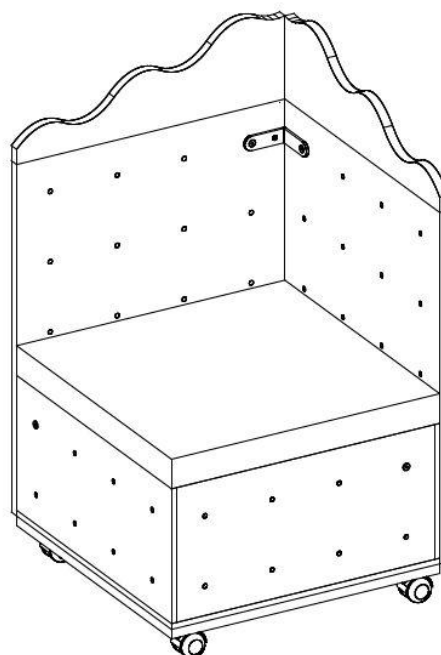
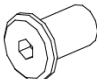
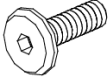
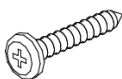


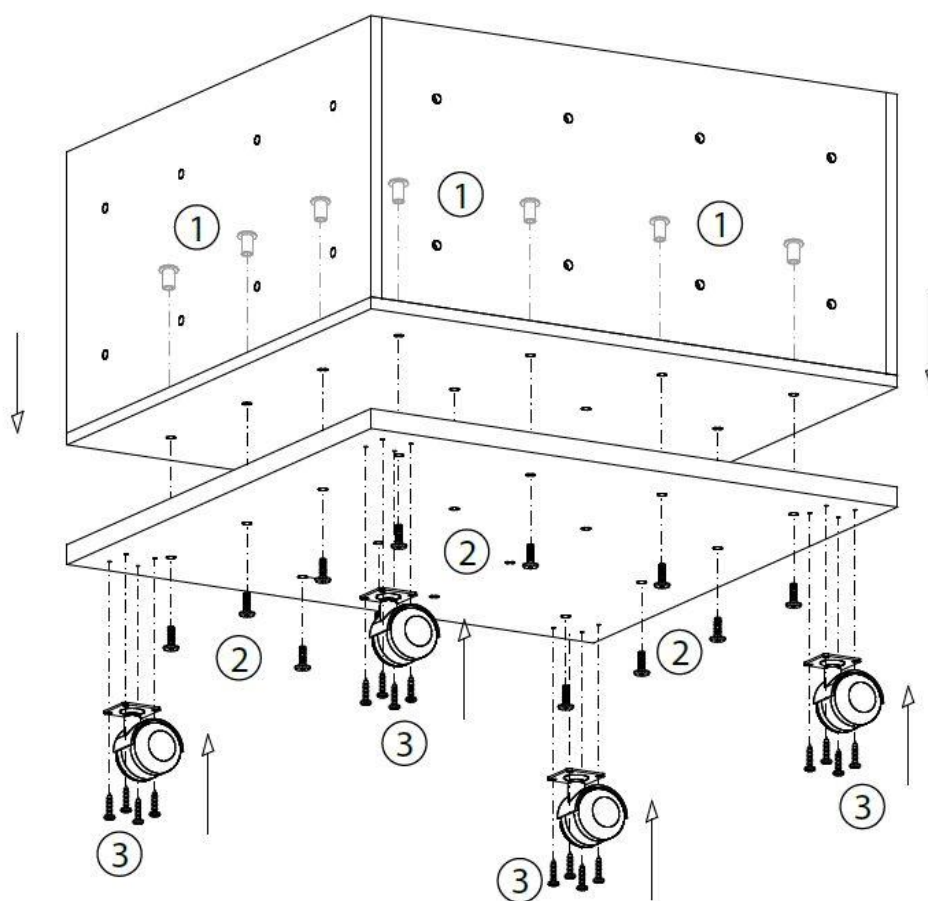
# Instructions de montage

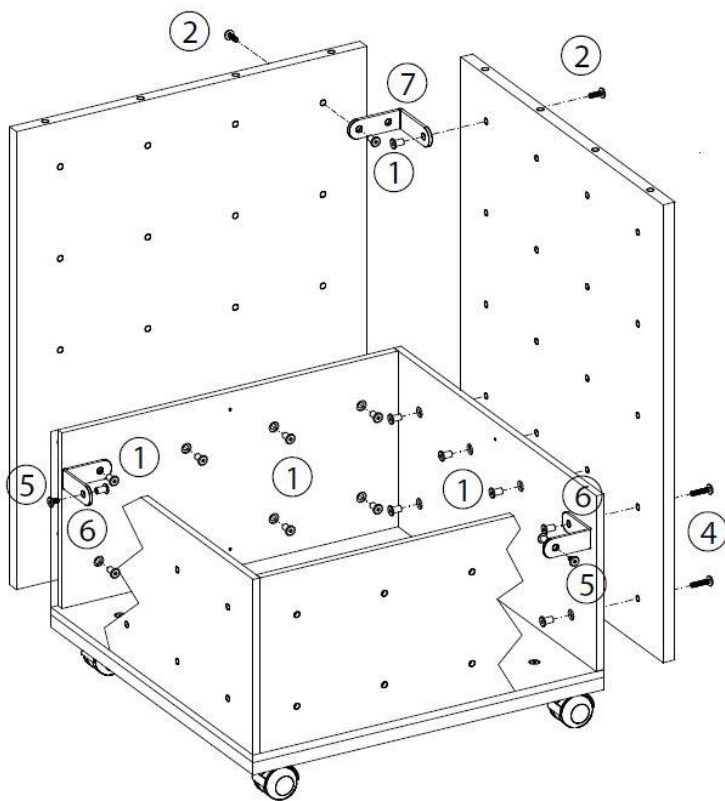
Kids Case combinaison 11

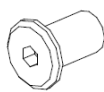

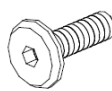
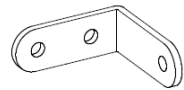
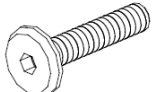
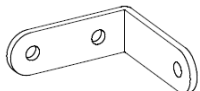


Lot de pièces d'assemblage  
n° 9601134

 M 6x15	1	 M 6x20	2	 4x20	3
---	---	---	---	---	---





	1		5
M 6x15		M 6x12	
	2		6
M 6x20		90x30	
	4		7
M 6x30		100x30	

